

Single-hole mixer

22 815 892



- 235 mm projection
- pivotable spout 360°
- air-enriched flow
- height of mixer 378 mm
- height up to aerator 220 mm
- hole diameter 35 mm
- max. flow 7 l/min at 3 bar flow pressure
- lead-free
- This product can help a building to meet requirements of Green Building Rating Systems, e.g. LEED®, BREEAM®, DGNB

| | | |
|--|--------------------------------|---------------|
|  | Platinum | 22 815 892-08 |
|  | Chrome | 22 815 892-00 |
|  | Brushed Platinum | 22 815 892-06 |
|  | Durabronze (23kt Gold) | 22 815 892-09 |
|  | Dark Chrome | 22 815 892-19 |
|  | Brushed Durabronze (23kt Gold) | 22 815 892-28 |
|  | Matte Black | 22 815 892-33 |
|  | Brushed Champagne (22kt Gold) | 22 815 892-46 |
|  | Champagne (22kt Gold) | 22 815 892-47 |
|  | Brushed Chrome | 22 815 892-93 |
|  | Brushed Dark Platinum | 22 815 892-99 |

Recommended miscellaneous

Strainer waste with control handle 10 710 970-08



Recommended miscellaneous

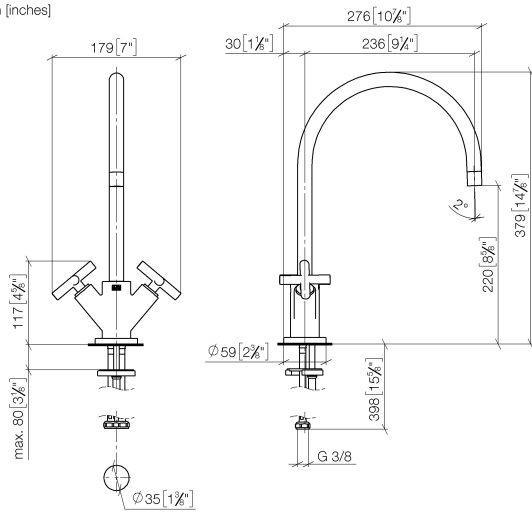
Dispenser with rosette 82 444 970-08



Single-hole mixer

22 815 892

mm [inches]



Flow rate chart



Single-hole mixer

22 815 892

Parts for other
finishes can be found
here: [Chrome](#)

